



# Piling Products, Inc.

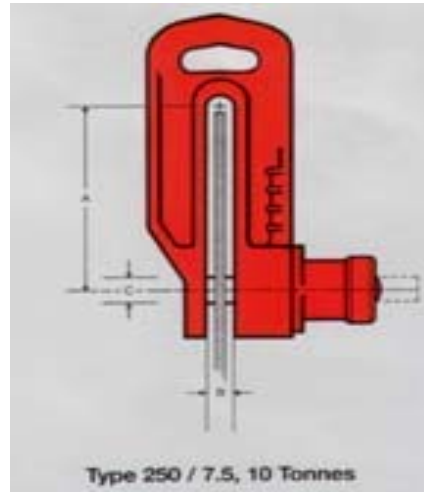
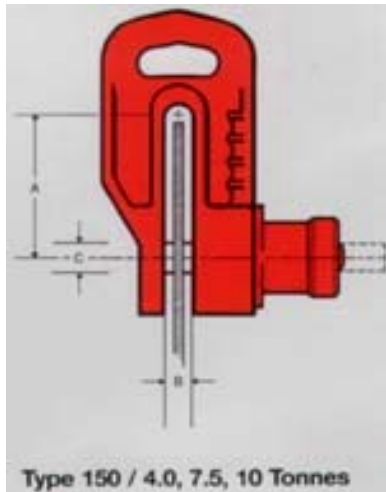
945 Center Street \* Green Cove Springs \* FL \* 32043

(904) 287-8000 Fax (904) 529-7757

[www.pilingproduct.com](http://www.pilingproduct.com) [ppisteel@bellsouth.net](mailto:ppisteel@bellsouth.net)

Certified DBE/WBE

## Ground Release Shackle



US Data

Type	Dimension - inches			SWL - Tons	Weight - lbs
	A	B	C		
150/4.0T	6	1.18	0.87	4.4	40
150/7.5T	6	1.18	1.10	8.2	40
150/10T	6	1.18	1.38	11.0	40
250/7.5T	10	1.18	1.10	8.2	48
250/10T	10	1.18	1.38	11.0	48